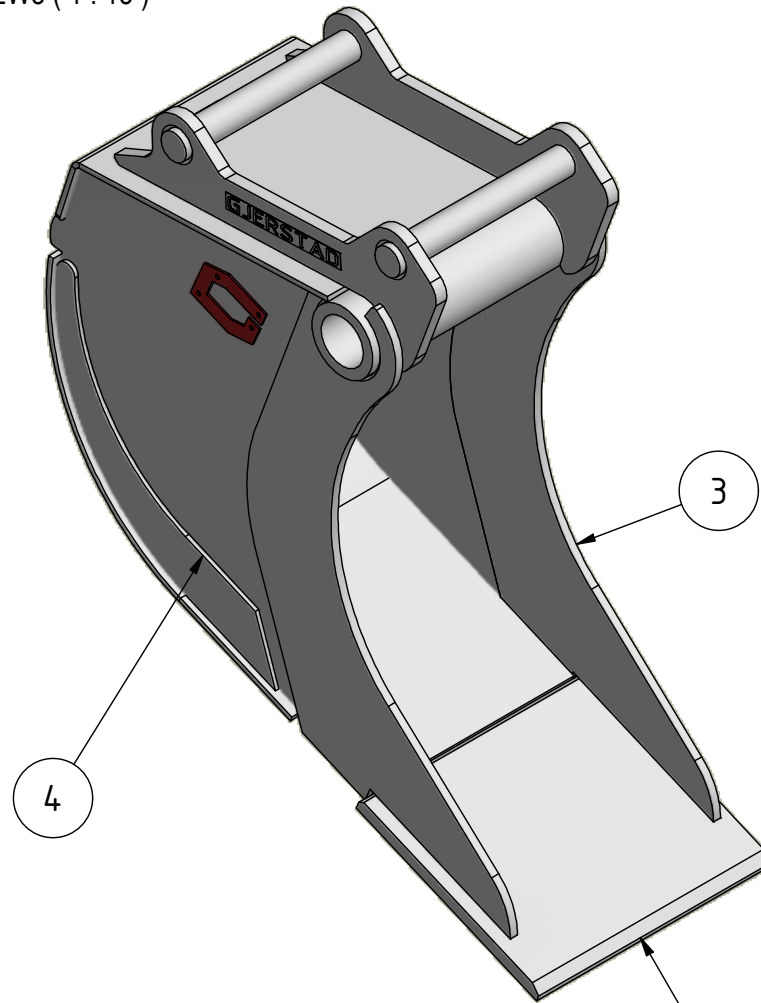
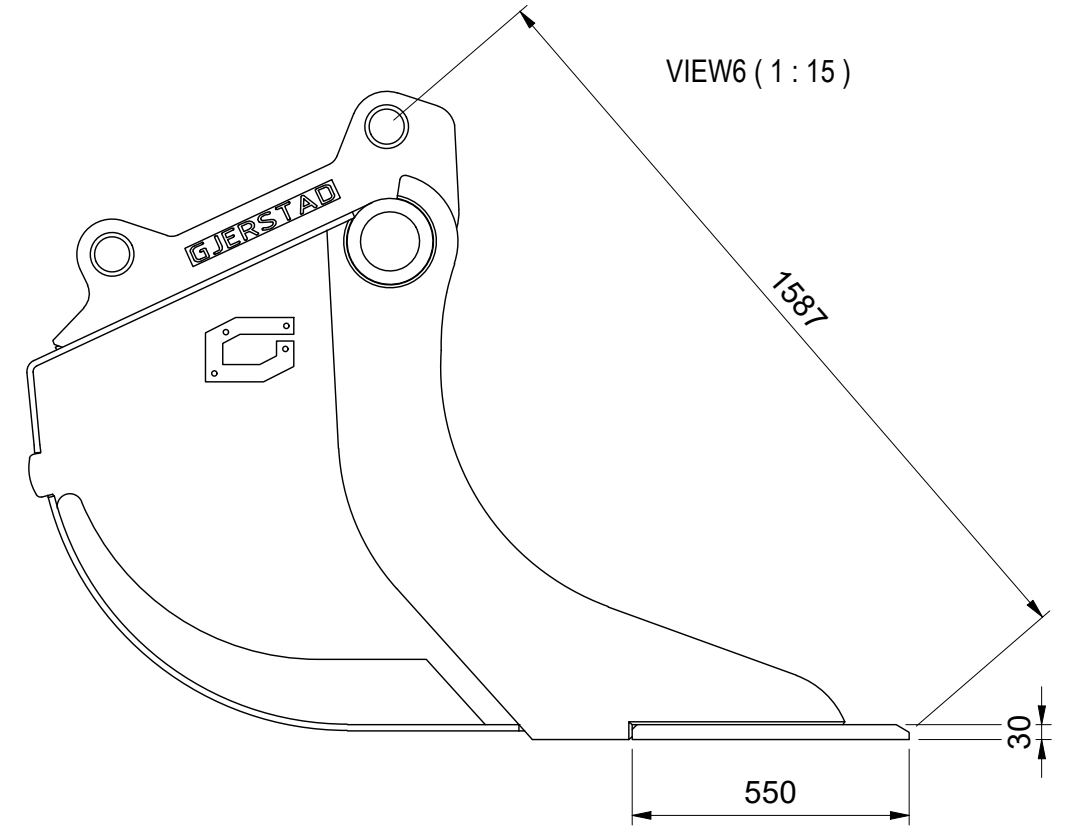
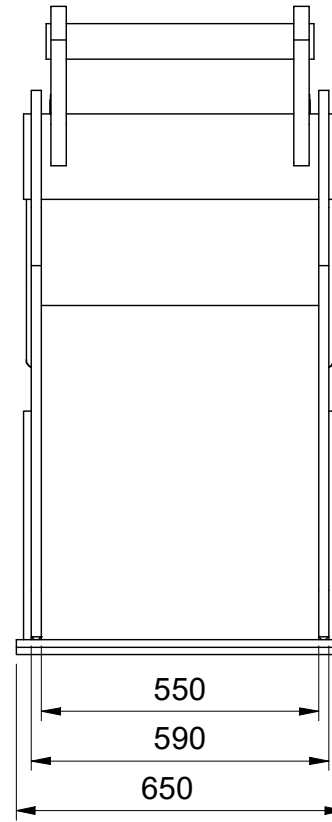
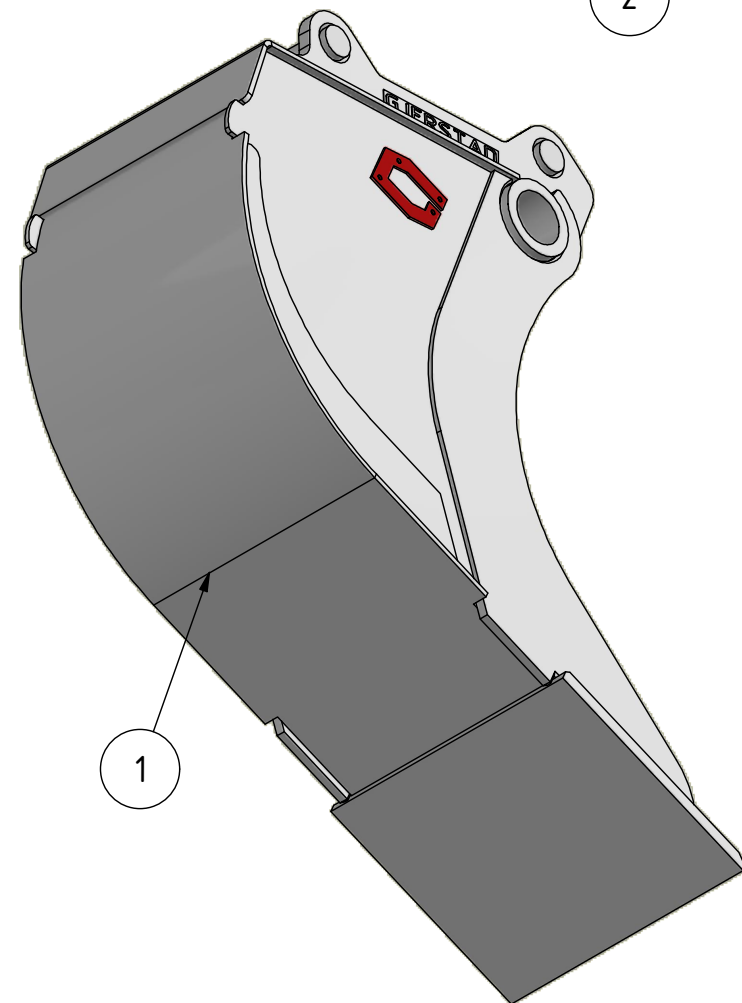


VIEW8 (1 : 15)



VIEW9 (1 : 15)



Recommended machine weight:

SPECIFICATION			
POS	TITLE	MATERIAL	DESCRIPTION
1.	BOTTOM PLATE	HB400	12mm
2.	FRONT EDGE	HB400	650x550x30mm
3.	SIDE MEMBER	HB400	20mm
4.	WEAR PLATE	HB400	10mm
5.			
6.			

This drawing and design is our property, and NOT allowed copied or used without our permission. Any misuse can lead to prosecution and/or liability for compensation according to law.

SURFACE TREATMENT ACCORDING TO: P17.01

UNLESS OTHERWISE SPECIFIED DIMENSIONS ARE IN mm

SHEET 1 OF 3

Scale: A3

Projection:

Date: 04.01.2021

Draw.: PL

Contr.:

G HD CABLE BUCKET 0600L SAE S70
STRAIGHT FRONT 650mm

Draw.no.: **GE7211**

Total weight: 577 kg

Revision: -