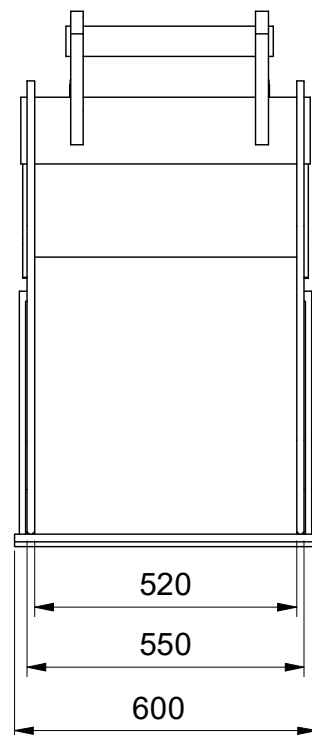
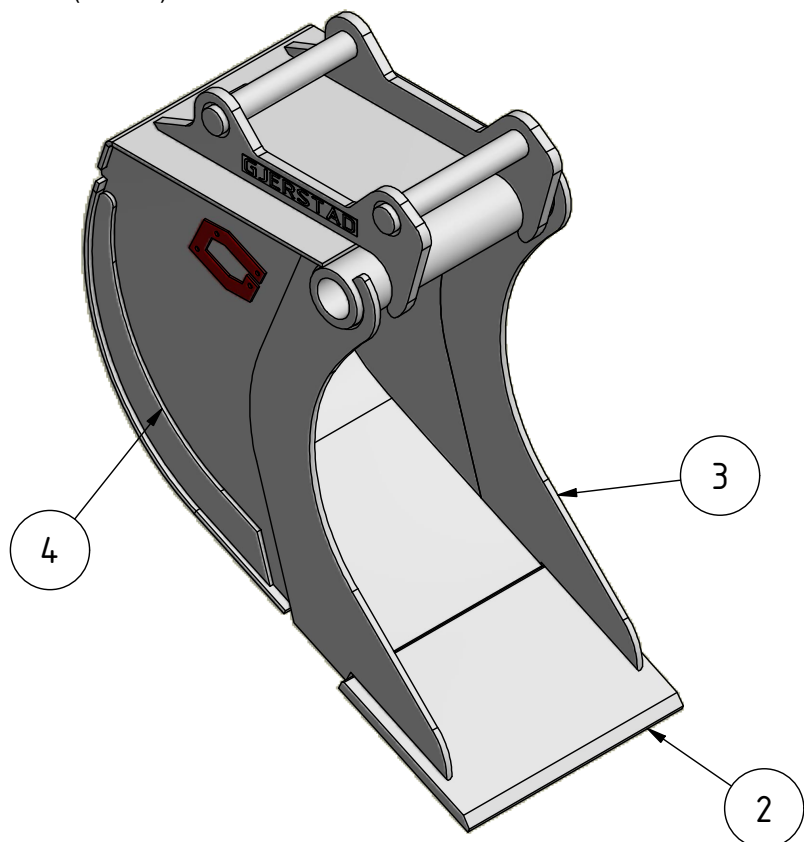
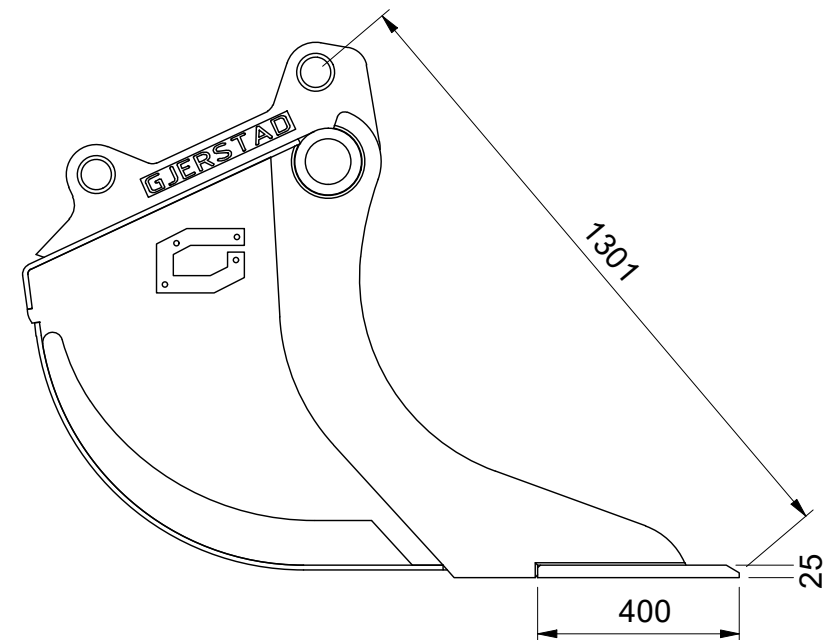


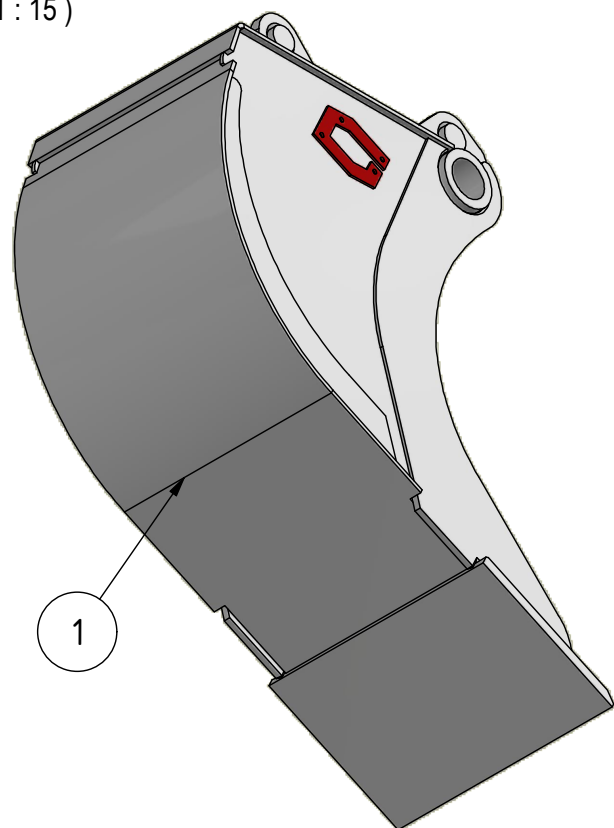
VIEW7 (1 : 15)



VIEW5 (1 : 15)



VIEW8 (1 : 15)



Recommended machine weight: 12-18 tonn

SPECIFICATION			
POS	TITLE	MATERIAL	DESCRIPTION
1.	BOTTOM PLATE	HB400	10mm
2.	FRONT EDGE	HB400	600x400x25mm
3.	SIDE MEMBER	HB400	15mm
4.	WEAR PLATE	HB400	10mm
5.			
6.			

This drawing and design is our property, and NOT allowed copied or used without our permission. Any misuse can lead to prosecution and/or liability for compensation according to law.

SURFACE TREATMENT ACCORDING TO: P17.01

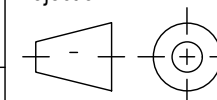
UNLESS OTHERWISE SPECIFIED DIMENSIONS ARE IN mm

G HD CABLE BUCKET 0420L SAE S60
STRAIGHT FRONT 600mm

Scale:

A3

Projection:



Date : 04.01.2021

Draw.: PL

Contr.:

SHEET 1 OF 3



Gjerstad Products AS
Gjerstadveien 373, N-4993 sundebbru
www.gjerstad.com

Draw.no.:

GE7210

Total weight: 327 kg*

Revision: -