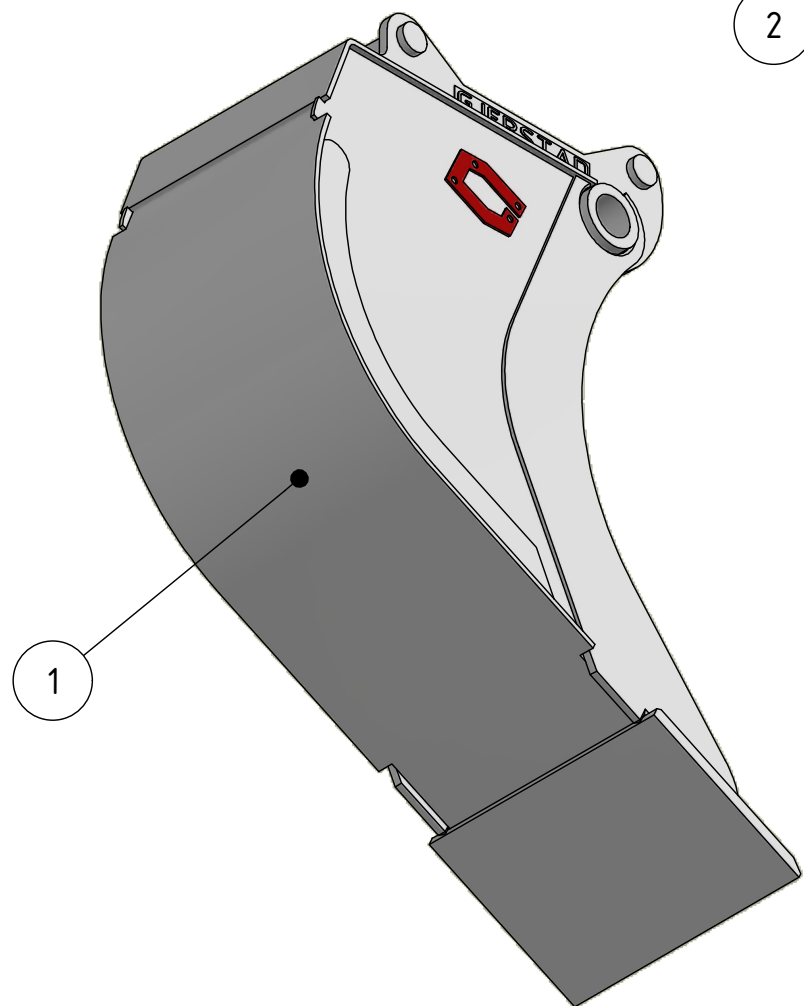
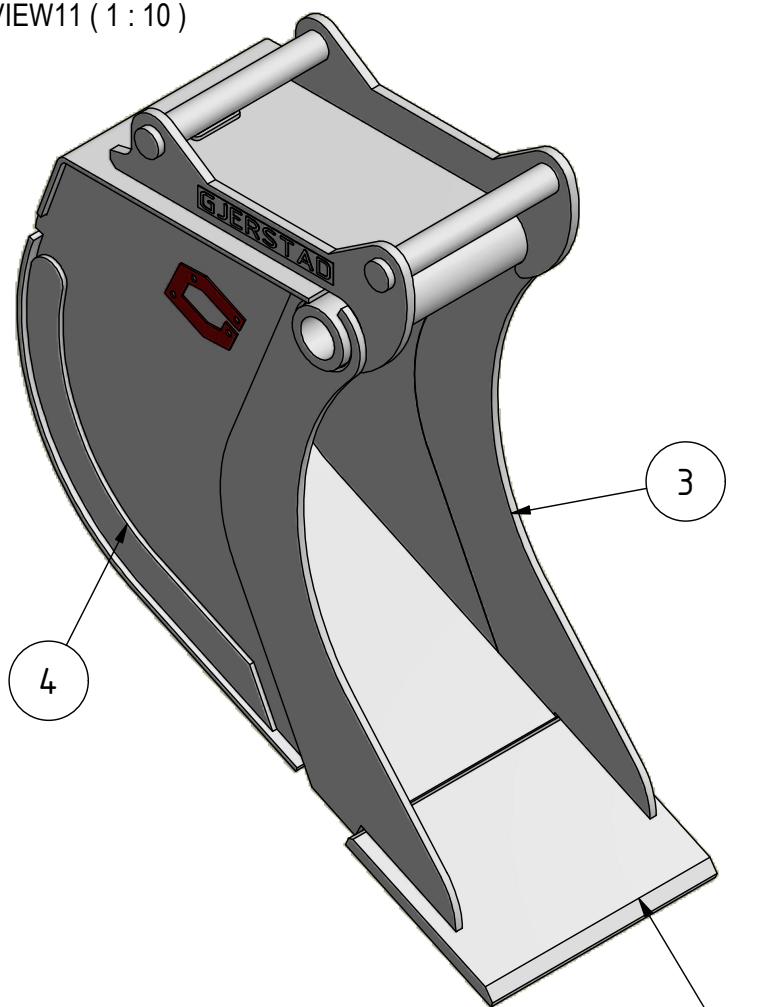
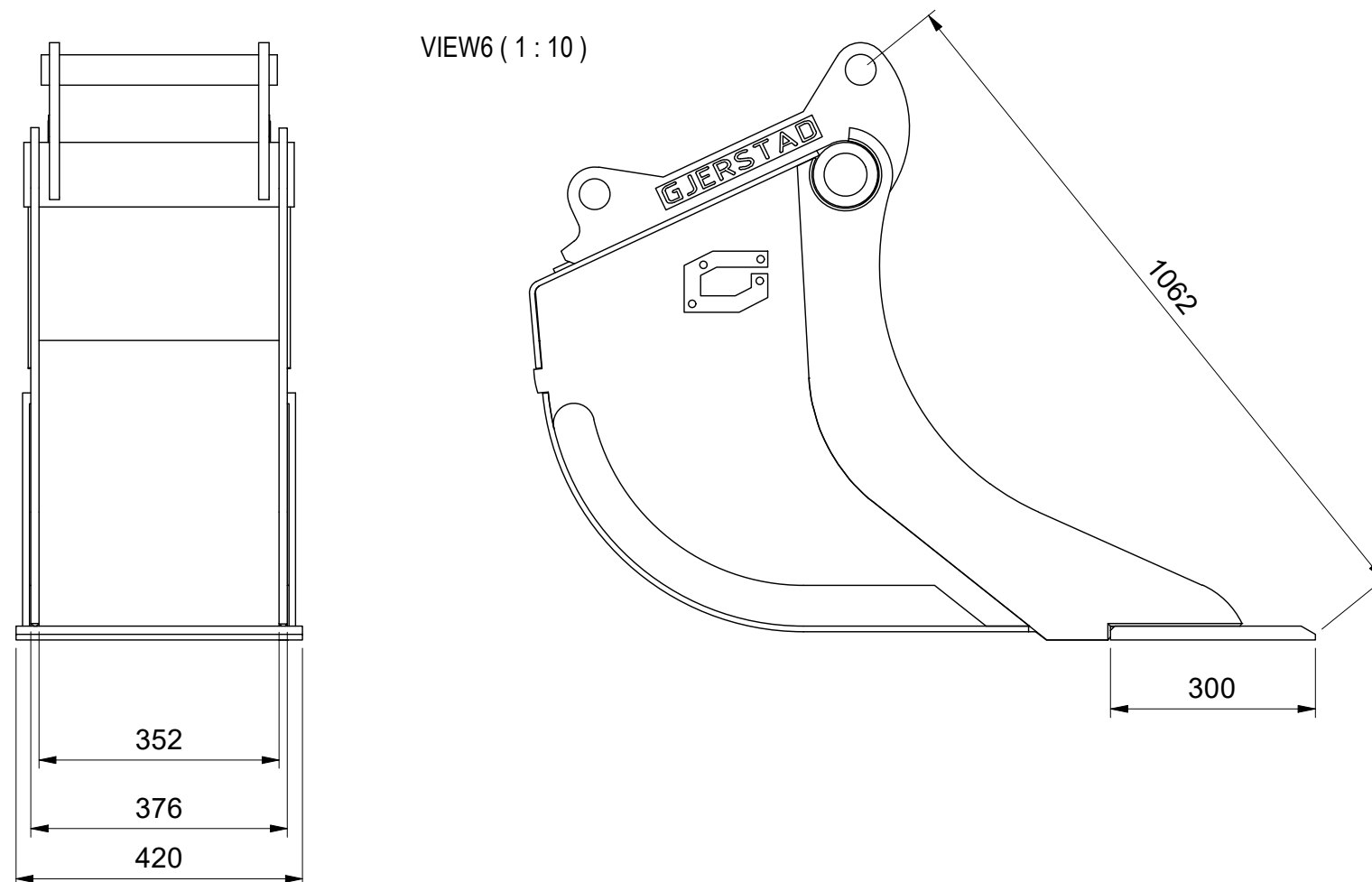


VIEW11 ( 1 : 10 )



VIEW6 ( 1 : 10 )



**Recommended machine weight:**

SPECIFICATION			
POS	TITLE	MATERIAL	DESCRIPTION
1.	BOTTOM PLATE	HB400	8mm
2.	FRONT EDGE	HB400	420x300x20mm
3.	SIDE MEMBER	HB400	12mm
4.	WEAR PLATE	HB400	8mm
5.			
6.			

<p>This drawing and design is our property, and NOT allowed copied or used without our permission. Any misuse can lead to prosecution and/or liability for compensation according to law.</p>	SURFACE TREATMENT ACCORDING TO: P17.01		UNLESS OTHERWISE SPECIFIED DIMENSIONS ARE IN mm
	<p>G HD CABLE BUCKET 0185L SAE S45 STRAIGHT FRONT 420mm</p>		<p>SHEET 1 OF 3</p>
<p>Scale: 1:10 A3</p>	<p>Projection:</p>	Date: 04.01.2021	Draw.: PL
		<p>Draw.no.: GE7207</p>	
<p> <b>Gjerstad Products AS</b> Gjerstadveien 373, N-4993 sundebbru www.gjerstad.com</p>		Total weight: 147 kg	Revision: -